

DELHI JAL BOARD: GOVT. OF NCT OF DELHI  
OFFICE OF THE EXECUTIVE ENGINEER(C) DR- IX  
JAGRITI SPS, KARKARI CROSSING, DELHI-110092

Telefax :-+91-11-22377241

No. DJB/F (27A)/EE (C) Dr-IX/2017/

Dated :- 09-11-2017

Name of Work: Providing and Laying Rising/Pressure Mains of 700-900 mm dia. DI Pipes at Various Locations in Kondli WWTP Catchment Area Under YAP-III (Package K4).

**CORRIGENDUM & ADDENDUM NO. 3 to NIT No. 03/2017-18, dated 31.08.2017**

The Pre-bid meeting for the above mentioned work was held on 31.10.2017. The Corrigendum & Addendum no. 3 is enclosed herewith.

This is being notified for the information of all prospective bidders. Further, corrigendum/addendum, if any, will be uploaded on the DJB's website: [www.delhijalboard.nic.in](http://www.delhijalboard.nic.in) under "Expression of Interest" link.

  
EXECUTIVE ENGINEER (C) Dr-IX

No. DJB/F(27A)/EE (C) Dr-IX/2017/

Dated :- 09-11-2017

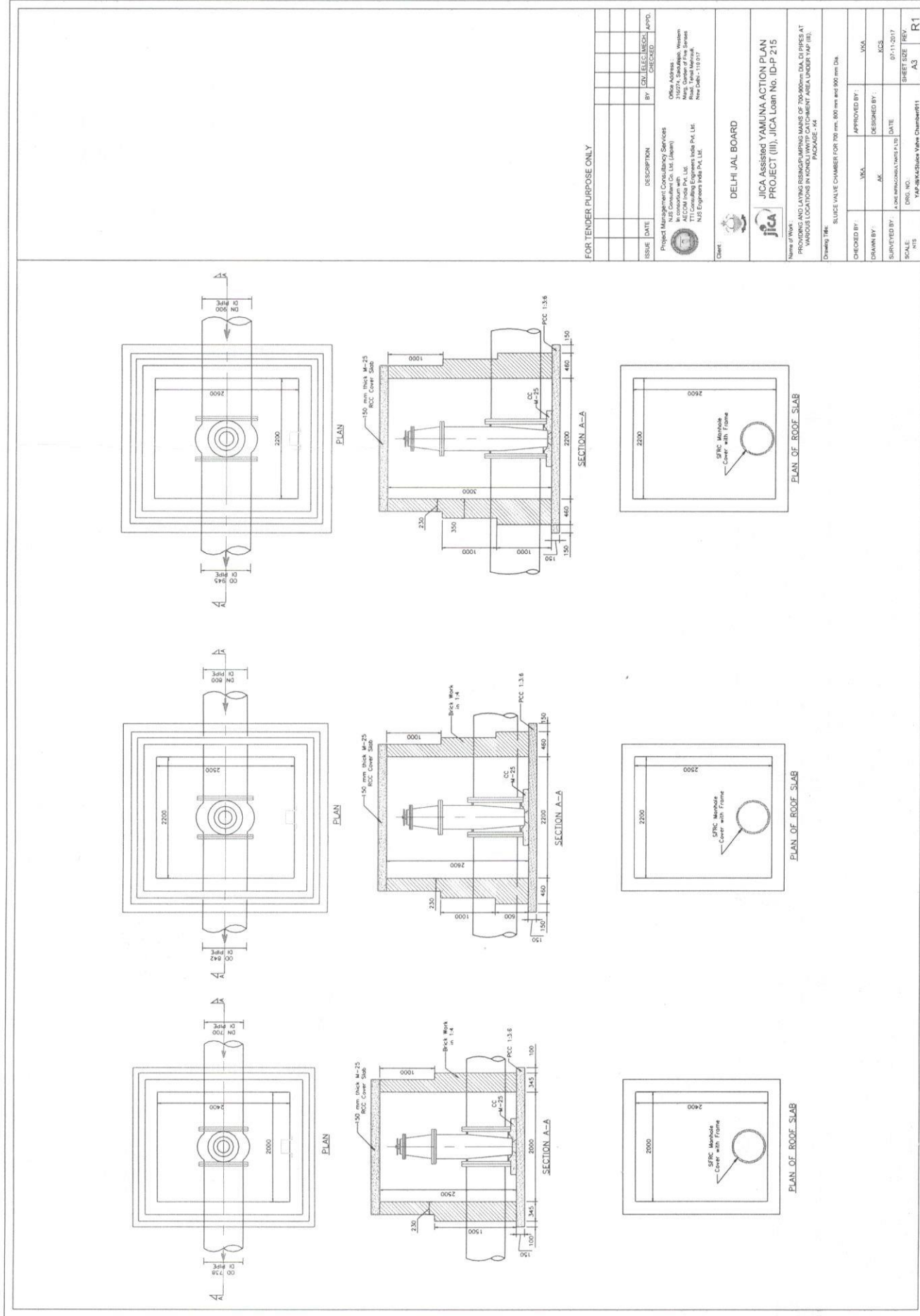
Copy for kind information please :

1. Member(DR)
2. CE(DR)PR-II / CE(SDW)
3. SE(DR)PR.E&NE / SE(SDW) II
4. Chief Representative, JICA India
5. EE(SDW) IX
6. EE (EDP): to display on DJB Website under EOI link.
7. AE-II
8. M/s. NJS Consultants & Consortium

  
EXECUTIVE ENGINEER (C) Dr-IX

### Corrigendum & Addendum No. 3

S. No.	Clause reference	Corrigendum & Addendum
1.	Volume-4, Drawings	<b>Existing following drawing, stand deleted:</b> <b>1.</b> <i>YAP-III/K 4/Sluice Valve Chamber/011; R0</i> <b>2.</b> <i>YAP-III/K 4/Scour Valve Chamber/012; R0</i> <b>Following Revised drawings are attached herewith:</b> <b>1.</b> <i>YAP-III/K 4/Sluice Valve Chamber/011; R1</i> <b>2.</b> <i>YAP-III/K 4/Scour Valve Chamber/012; R1</i>



FOR TENDER PURPOSE ONLY

ISSUE	DATE	DESCRIPTION	BY	CHK./ELEC./MECH./APPO.

Project Management Consultants Services  
 N.E. Consultancy Co. Ltd. (Japan)  
 In consultation with  
 TTI Consulting Engineers India Pvt. Ltd.  
 N.E. Engineers India Pvt. Ltd.

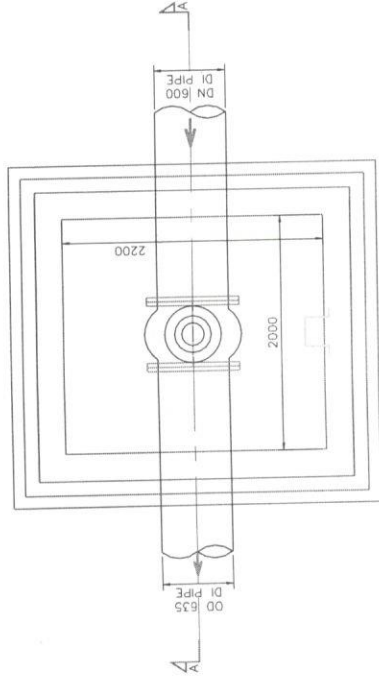
Office Address:  
 1102/71, Sakinaka, Wazirpur  
 Road, New Delhi - 110028  
 New Delhi - 110 017

DELHI JAL BOARD  
 JICA Assisted YAMUNA ACTION PLAN  
 PROJECT (III), JICA Loan No. ID-P 215

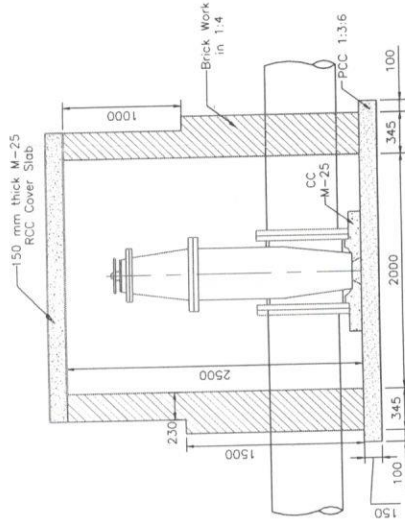
Name of Work: PROVISIONING AND INSTALLATION OF SLUICE VALVE CHAMBERS AT  
 VARIOUS LOCATIONS IN SINDRI WWPIT CATCHMENT AREA, UDAIPUR (R).  
 PACKAGE - 44

Checked By: VSA  
 Approved By: VSA  
 Drawn By: M  
 Designed By: KCS  
 Supervised By: A ONE INFRASTRUCTURE P LTD  
 Date: 01-11-2017  
 Scale: ERG NO. YEP-01/K/S/Sluice Valve Chamber/011  
 Sheet Size: A3  
 Rev: R1

Drinking Water: SLUICE VALVE CHAMBER FOR 100 mm, 150 mm and 200 mm Dia.



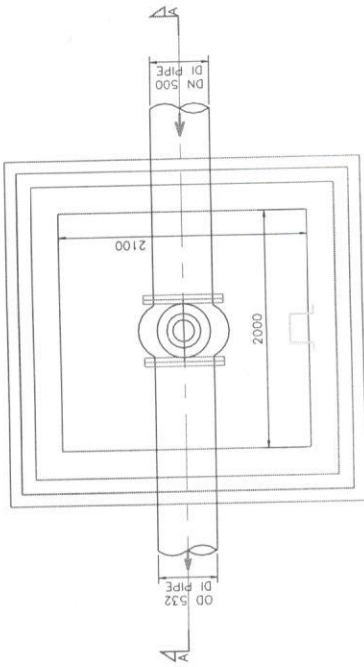
PLAN



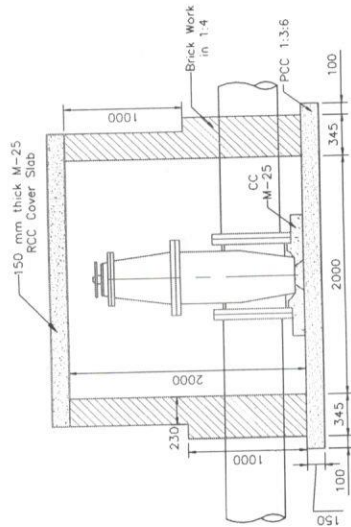
SECTION A-A



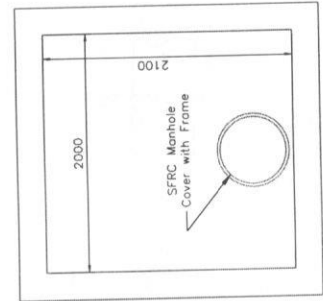
PLAN OF ROOF SLAB



PLAN



SECTION A-A



PLAN OF ROOF SLAB

FOR TENDER PURPOSE ONLY

ISSUE	DATE	DESCRIPTION	BY	CHECKED	APPD.

Client: Delhi Jal Board  
 Project Management Consultancy Services  
 NSE Consultant Co. Ltd. (Japan)  
 M/S. Sankar Singh, Westing  
 Mang. Consultancy Pvt. Ltd.  
 AECOM India Pvt. Ltd.  
 TTI Consulting Engineers India Pvt. Ltd.  
 N/S Engineers NCE Pvt. Ltd.

Delhi Jal Board

JICA Assisted YAMUNA ACTION PLAN  
 PROJECT (III), JICA Loan No. ID-P 215

Name of Work: PROVIDING AND LAYING REBAR FOR M&C OF 150 mm DIA. CI PIPES AT VARIOUS LOCATIONS IN INDRAJATI WTPD CATCHMENT AREA UNDER YAP (III), PACKAGE - M.

Drawing Title: 800R VALVE CHAMBER FOR 500 mm and 600 mm Dia.

CHECKED BY: JKA  
 DESIGNED BY: JKS  
 SURVEYED BY: JKS  
 SCALE: 1:50  
 DATE: 07-11-2017  
 SHEET SIZE: A3  
 REV: R1

APPROVED BY: JKA