

DELHI JAL BOARD: GOVT. OF NCT OF DELHI
OFFICE OF THE EXECUTIVE ENGINEER(C)DR.XI
ROOM NO. 308, VARUNALAYA PHASE-I, KAROL BAGH,
NEW DELHI-110005

Telefax :- 011-23554487 / Email :- eecdr11.djb@nic.in

NO.F5(7)/EE(C)DR.XI/2017/

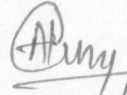
Dated : 10.11.2017

Subject : Providing & Laying 1200 mm Dia. DI Rising / Pressure Main from Bharat Nagar Wastewater Pumping Station to Common Inlet Chamber at Pitampura by Replacing one dysfunctional pumping main out of twin Rising / Pumping Mains of 1100 mm Dia under JICA assisted Yamuna Action Plan Phase-III (Package R1b).

- JICA Assisted Yamuna Action Plan (YAP-III) Project - ID-P215.

CORRIGENDUM & ADDENDUM NO. 3 to NIT NO. 02(2017-18)

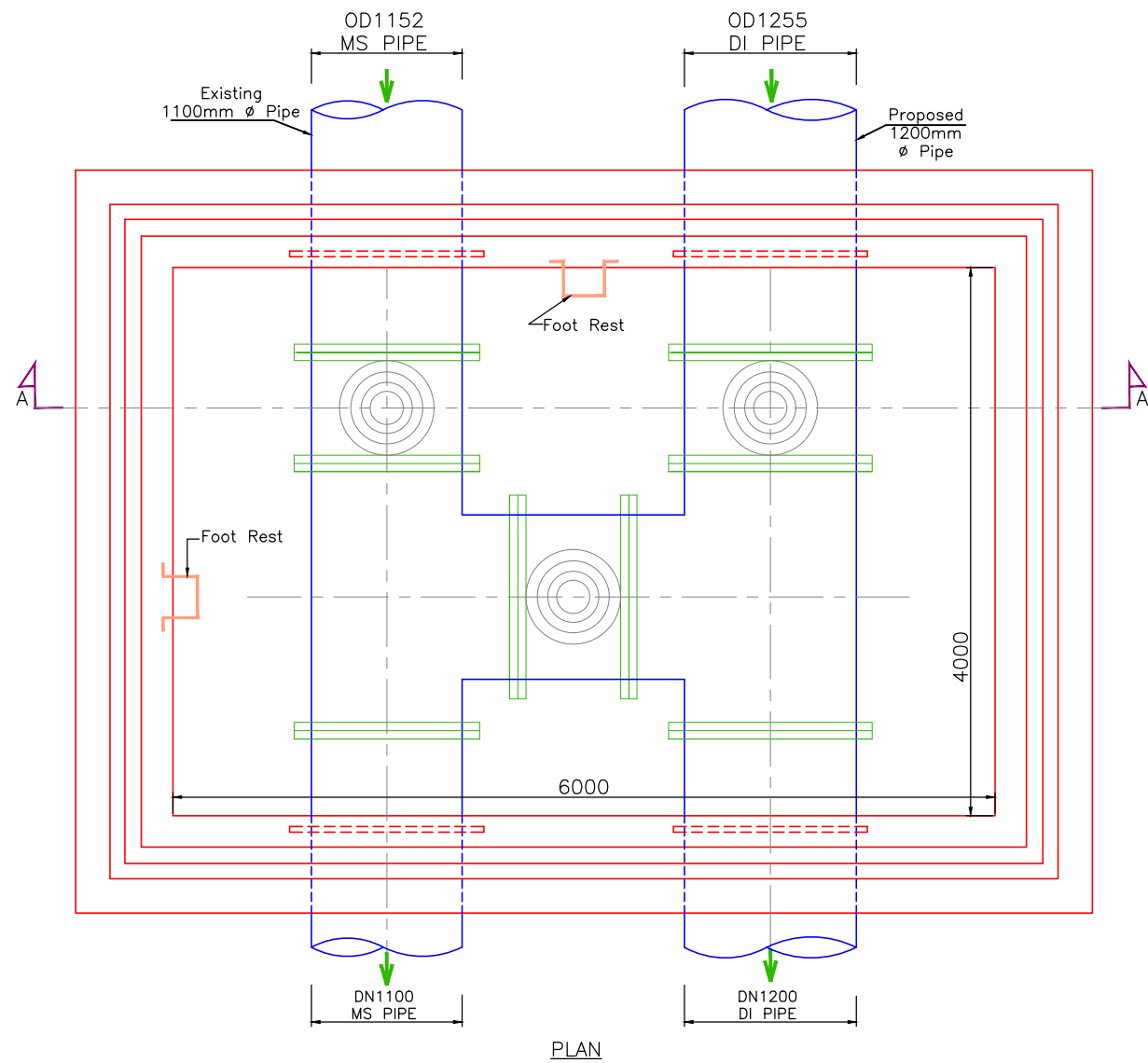
In reference to NIT no. 02(2017-18) for the subject work, please find attached herewith the Corrigendum & Addendum no. 3.


10.11.2017
(Anil Choudhary)
Executive Engineer (C) DR-XI

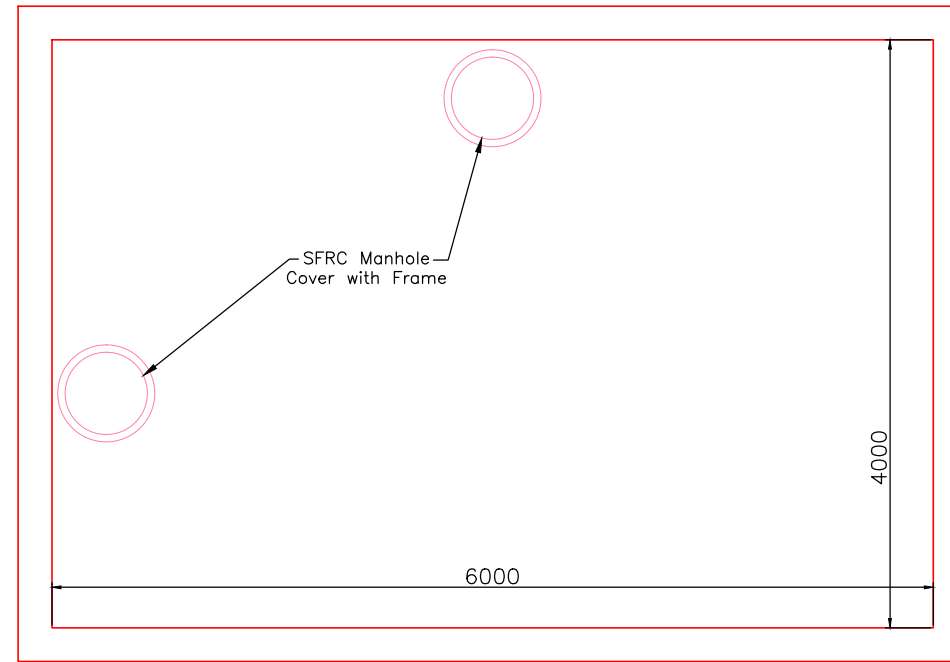
Corrigendum & Addendum No. 3

S. No.	Clause reference	Corrigendum & Addendum
1.	Volume-4, Section XIII, Drawings	<p>The drawing nos. “YAP-III/R1b/Valve Chamber/005 (1 of 3); R0 and YAP-III/R1b/Valve Chamber/005 (2 of 3); R0”, stands deleted.</p> <p>The revised drawing nos. “YAP-III/R1b/Valve Chamber/005 (1 of 3); R1 and YAP-III/R1b/Valve Chamber/005 (2 of 3); R1” are attached herewith.</p>

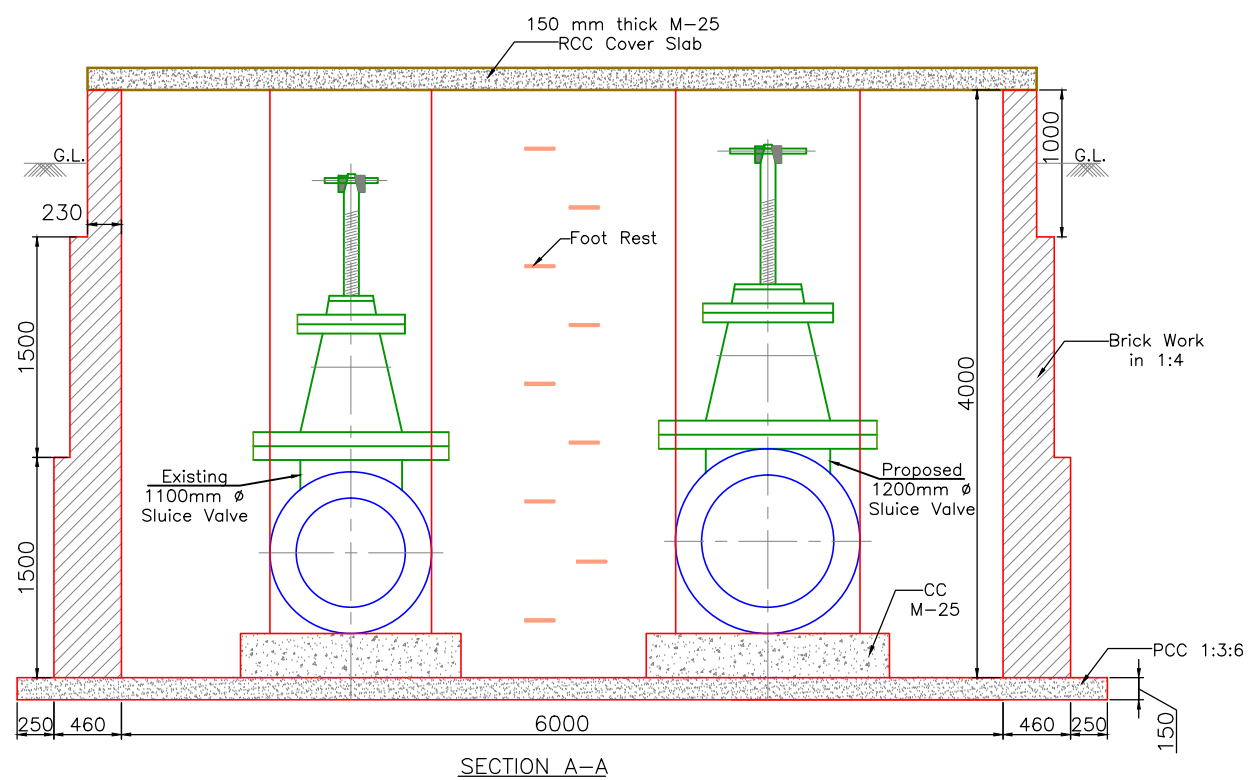




PLAN



PLAN OF ROOF SLAB



SECTION A-A

NOTE:
1. THE DIMENSIONS SHOWN IN THE DRAWINGS ARE TENTATIVE .THE CONTRACTOR SHALL SUBMIT THE DESIGN / DRAWING OF THE VALVE CHAMBERS AT THE TIME OF ACTUAL EXECUTION OF WORKS AND GET IT APPROVED FROM THE ENGINEER.

NOTE:
1. ALL DIMENSIONS ARE IN MM UNLESS OTHERWISE SPECIFIED

ISSUE	DATE	DESCRIPTION	BY	CIV.	ELEC.	MECH.	APPD.
				CHECKED	CHECKED	CHECKED	

Project Management Consultancy Services
 NJS Consultant Co. Ltd. (Japan)
 In consortium with:
 AECOM India Pvt. Ltd.
 TTI Consulting Engineers India Pvt. Ltd.
 NJS Engineers India Pvt. Ltd.

Office Address :
 316/274, Saijullajab, Western
 Marg, Garden of Five Senses
 Road, Tehsil Mehrauli,
 New Delhi - 110 017

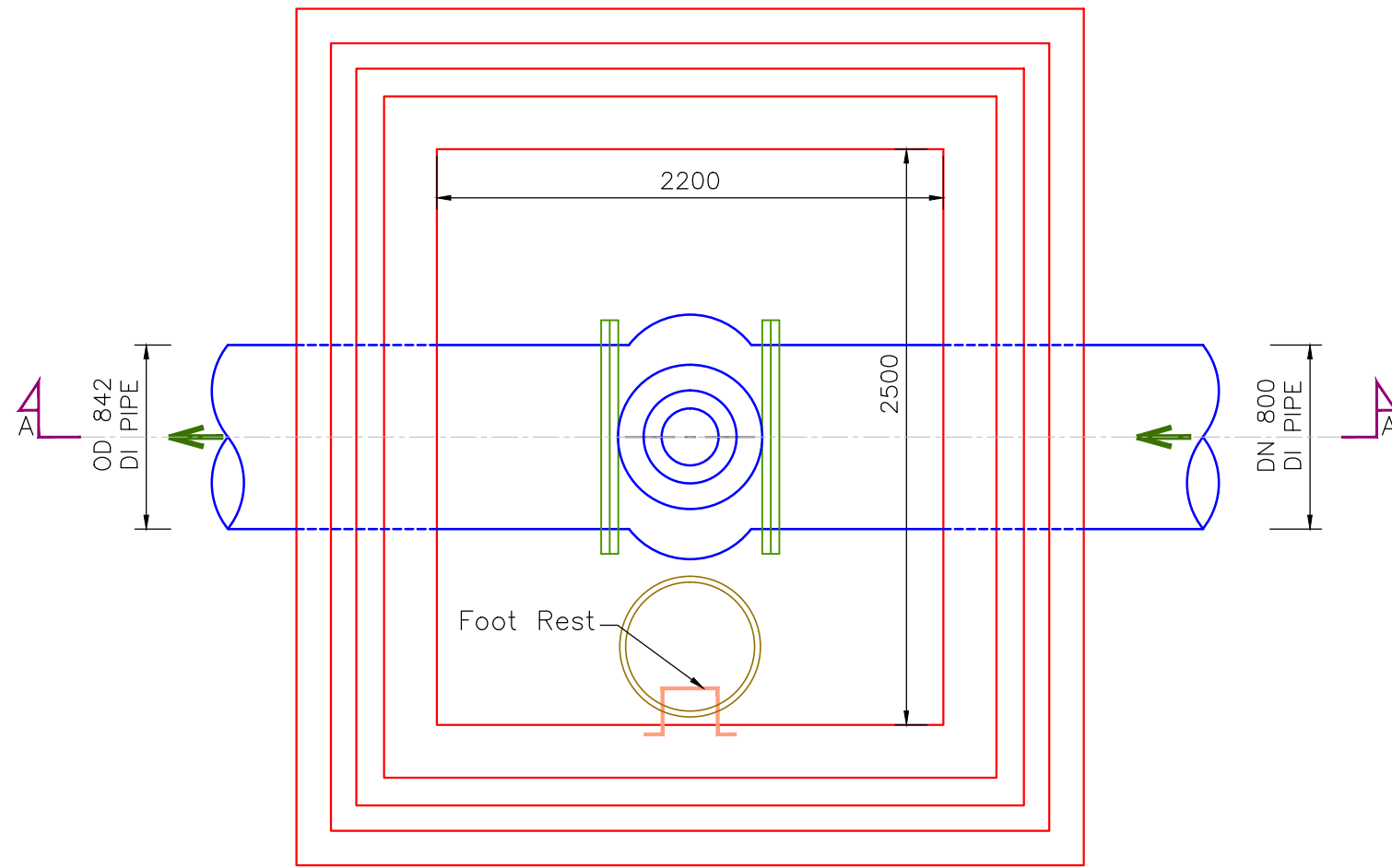
Client :
 DELHI JAL BOARD

JICA Assisted YAMUNA ACTION PLAN
 PROJECT (III), JICA Loan No. ID-P 215

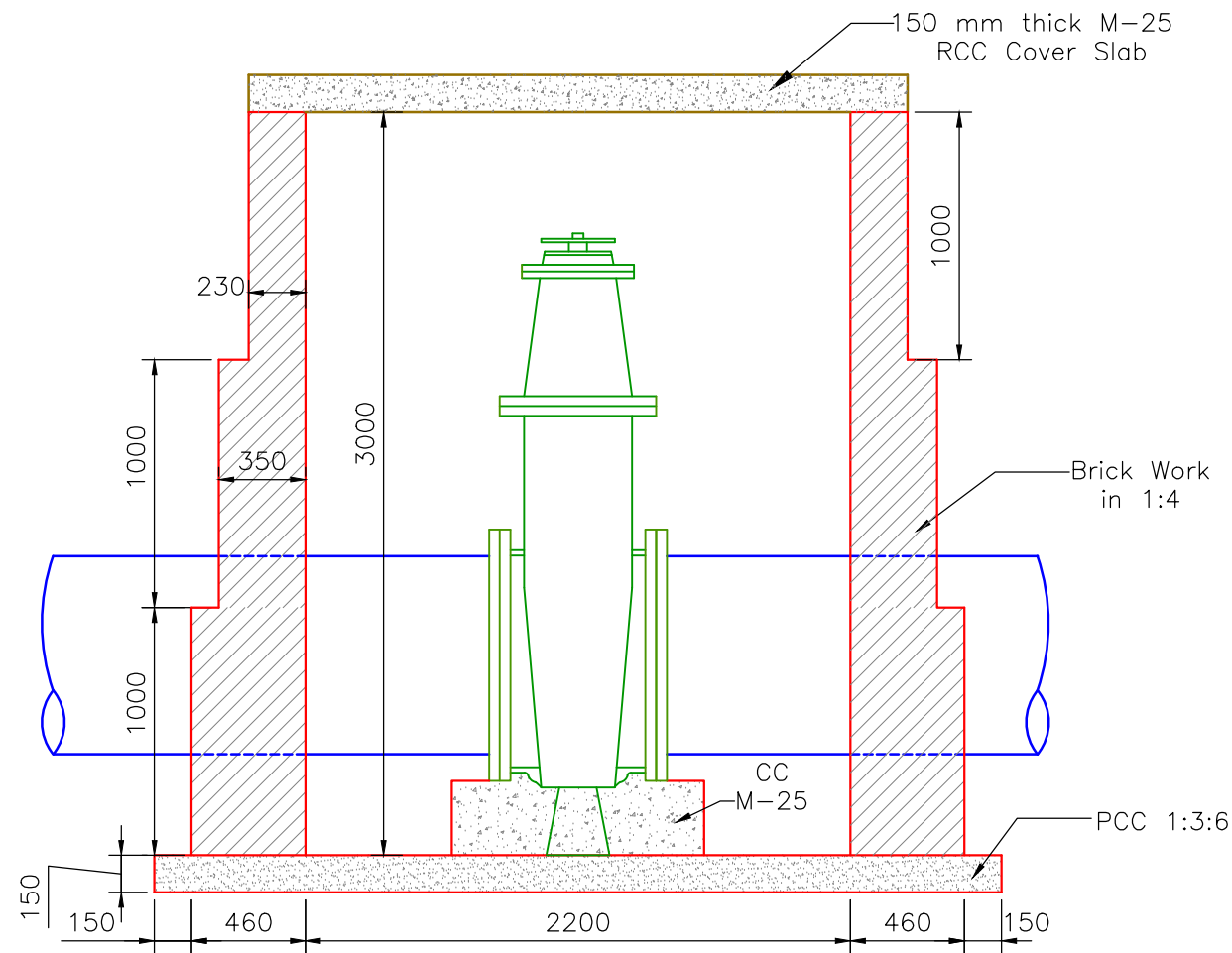
Name of Work :
 PROVIDING AND LAYING 1200mm DIA. DI RISING/PRESSURE MAIN FROM BHARAT NAGAR
 WASTEWATER PUMPING STATION TO COMMON INLET CHAMBER AT PITAMPURA BY
 REPLACING ONE DYSFUNCTIONAL PUMPING MAIN OUT OF TWIN RISING/PUMPING
 MAINS OF 1100mm DIA. UNDER YAP (III), PACKAGE R1b

Drawing Title:
 1200 mm Dia. SLUICE VALVE CHAMBER

CHECKED BY :	VKA	APPROVED BY :	VKA
DRAWN BY :	AK	DESIGNED BY :	KCS
SURVEYED BY :	A ONE INFRACONSULTANTS P.LTD	DATE	07-11-2017
SCALE:	DRG. NO.:	SHEET SIZE	REV.
NTS	YAP-III/R1b/Valve Chamber/005 (1 of 3)	A3	R1



PLAN



SECTION A-A

NOTE:
1. THE DIMENSIONS SHOWN IN THE DRAWINGS ARE TENTATIVE .THE CONTRACTOR SHALL SUBMIT THE DESIGN / DRAWING OF THE VALVE CHAMBERS AT THE TIME OF ACTUAL EXECUTION OF WORKS AND GET IT APPROVED FROM THE ENGINEER.

NOTE:
1. ALL DIMENSIONS ARE IN MM UNLESS OTHERWISE SPECIFIED

ISSUE	DATE	DESCRIPTION	BY	CIV. CHECKED	ELEC. CHECKED	MECH. CHECKED	APPD.

Project Management Consultancy Services
 NJS Consultant Co. Ltd. (Japan)
 In consortium with:
 AECOM India Pvt. Ltd.
 TTI Consulting Engineers India Pvt. Ltd.
 NJS Engineers India Pvt. Ltd.

Office Address :
 316/274, Saijullajab, Western
 Marg, Garden of Five Senses
 Road, Tehsil Mehrauli,
 New Delhi - 110 017

Client : DELHI JAL BOARD

JICA Assisted YAMUNA ACTION PLAN PROJECT (III), JICA Loan No. ID-P 215

Name of Work : PROVIDING AND LAYING 1200mm DIA. DI RISING/PRESSURE MAIN FROM BHARAT NAGAR WASTEWATER PUMPING STATION TO COMMON INLET CHAMBER AT PITAMPURA BY REPLACING ONE DYSFUNCTIONAL PUMPING MAIN OUT OF TWIN RISING/PUMPING MAINS OF 1100mm DIA. UNDER YAP (III), PACKAGE R1b

Drawing Title : 800 mm Dia. SCOUR VALVE CHAMBER

CHECKED BY :	VKA	APPROVED BY :	VKA
DRAWN BY :	AK	DESIGNED BY :	KCS
SURVEYED BY :	A ONE INFRACONSULTANTS P.LTD	DATE	07-11-2017
SCALE: NTS	DRG. NO.: YAP-III/R1b/Valve Chamber/005 (2 of 3)	SHEET SIZE	A3
		REV.	R1